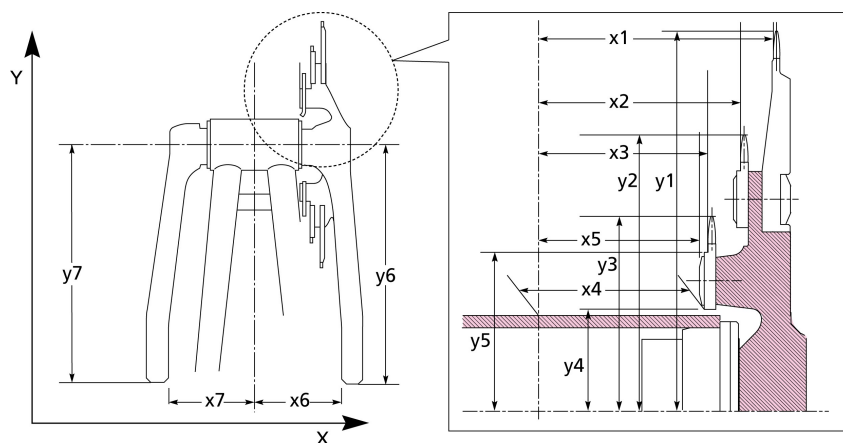
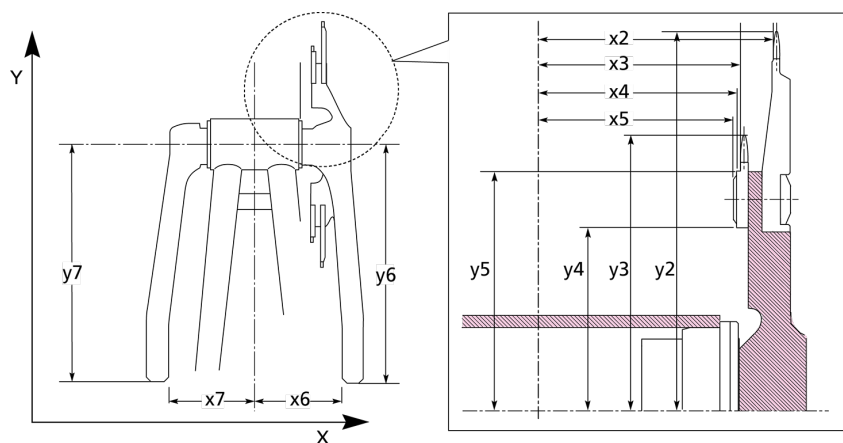


The dimensions of the cranksets shown in the table below. Check these dimensions when designing the frame in order to avoid interference between the chainring and chainstay.

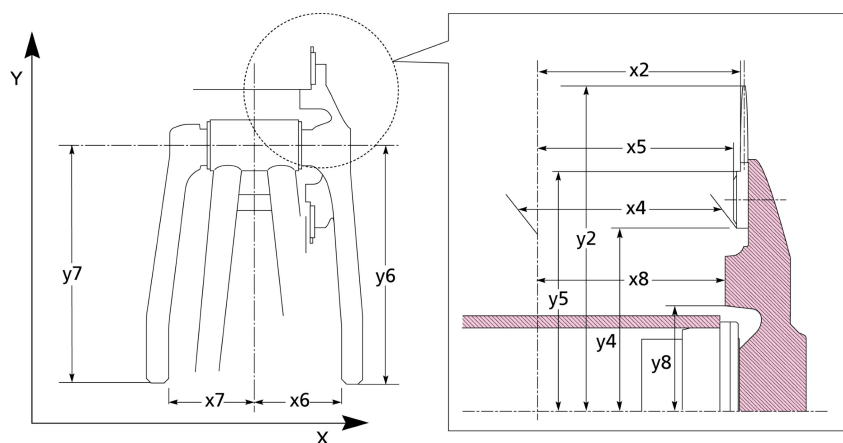
Front triple



Front double



Front single



NOTE

When using pressfit bottom bracket, please take special care for $X4$, $Y4$ dimension of the crankset to avoid interference between inner ring chainring and the outer side of the bottom bracket shell of the frame.

Y dimensions C-123

Speed	Model No.	Gear	y1 (mm)	y2 (mm)	y3 (mm)	y4 (mm)	y5 (mm)	y6 (mm)	y7 (mm)	y8 (mm)
11	FC-R9100 FC-R9100-P	55-42T	-	113.1	88.2	46.9	80.2	195.5	195.5	-
		54-42T	-	111.1	88.2	46.9	80.2	195.5	195.5	-
		53-39T	-	109.1	82.2	46.9	74.2	195.5	195.5	-
		52-36T	-	107.1	76.1	46.9	68.2	195.5	195.5	-
		50-34T	-	103.0	72.1	46.9	64.0	195.5	195.5	-
	FC-R8000	53-39T	-	109.1	82.2	46.4	71.9	191.9	191.9	-
		52-36T	-	107.1	76.1	46.4	65.9			
		50-34T	-	103.0	72.1	46.4	63.0			
		46-36T	-	95.4	76.1	46.4	65.9			
	FC-R7000	53-39T	-	109.1	82.2	46.4	71.9	191.9	191.9	-
		52-36T	-	107.1	76.1	46.4	65.9			
		50-34T	-	103.0	72.1	46.4	63.0			
	FC-RS510	52-36T	-	107.1	76.1	-	67.3	193.4	193.4	-
		50-34T	-	103.0	72.1	-	64.2	193.4	193.4	-
		46-36T	-	95.4	76.1	-	67.3	193.4	193.4	-
	FC-RX810-2	48-31T	-	99.0	66.1	32.0	55.7	193.4	193.4	-
	FC-RX600-11	46-30T	-	95.0	64	-	55.7	193.4	193.8	-
FC-RX810-1	42T	-	88.7	-	45.9	60.6	193.4	193.4	33.0	
	40T	-	84.6	-	45.9	60.6	193.4	193.4	33.0	
FC-RX600-1	40T	-	84.5	-	-	62	192.1	192.3	-	
10	FC-5703	50-39-30T	103.8	81.6	64.2	26.9	43.6	192.8	192.8	-
	FC-4703	50-39-30T	103.8	81.6	64.2	26.9	52.6	193.6	193.6	-
	FC-4700	52-36T	-	107.3	76.1	-	68.2	193.6	193.6	-
		50-34T	-	103.8	70.8	-	64.2			
		48-34T	-	99	70.8	-	63.1			
	FC-R460	48-34T	-	99.2	70.8	-	64.0	192.7	192.7	-
		46-34T	-	95.7	70.8	-	64.0			
	FC-RS400	50-34T	-	103.8	70.8	-	-	192.7	192.7	-
FC-CX50	46-36T	-	95.8	75.1	-	67.9	192.8	192.8	-	
FC-RX600-10	46-30T	-	95	64	28.8	55.7	192.1	192.3	-	
9	FC-R3030	50-39-30T	103.8	81.6	63.4	26.9	43.6	194.1	193.0	-
	FC-R3000	50-34T	-	103.8	70.8	-	-	194.1	193.0	-
	FC-R345	50-34T	-	103.9	70.8	-	63.7	192.1	192.1	-
8	FC-R2030	50-39-30T	103.8	81.7	63.5	23.4	43.6	193.3 193.9	193.3 193.9	-
	FC-A073	50-39-30T	103.9	81.8	63.6	23.4	41.7	187	187	-
	FC-R2000	50-34T	-	103.8	70.8	-	-	193.9	193.9	-
	FC-RS200	50-34T	-	103.9	70.8	-	-	192.1	192.1	-
		46-34T	-	103.9	70.8	-	-	192.1	192.1	-
FC-A070	50-34T	-	103.9	70.8	-	-	187	187	-	
TRACK	FC-7710 (1/2 x 1/8 inch)	-	-	114.7	-	-	-	193.0	193.0	-
	FC-7710 (1/2 x 3/32 inch)	-	-	114.7	-	-	-	193.0	193.0	-

X dimensions C-124

9

Speed	Model No.	Gear	Chain line (mm)	x1 (mm)	x2 (mm)	x3 (mm)	x4 (mm)	x5 (mm)	x6 (mm)	x7 (mm)	x8 (mm)
11	FC-R9100 FC-R9100-P	55-42T	43.5	-	46.0	37.8	36.3	35.2	56.4	56.4	-
		54-42T	43.5	-	46.0	37.8	36.3	35.2	56.4	56.4	-
		53-39T	43.5	-	46.0	37.8	36.3	35.2	56.4	56.4	-
		52-36T	43.5	-	46.0	37.8	36.3	35.2	56.4	56.4	-
		50-34T	43.5	-	46.0	37.8	36.3	35.2	56.4	56.4	-
	FC-R8000	53-39T	43.5	-	46.0	37.8	36.6	35.4	56.9	57.4	-
		52-36T	43.5	-	46.0	37.8	36.6	35.4	56.9	57.4	-
		50-34T	43.5	-	46.0	37.8	36.6	35.4	56.9	57.4	-
	FC-R7000	46-36T	43.5	-	46.0	37.8	36.6	35.4	56.9	57.4	-
		53-39T	43.5	-	46.0	37.8	37.4	35.3	56.9	57.4	-
		52-36T	43.5	-	46.0	37.8	37.4	35.3	56.9	57.4	-
	FC-RS510	50-34T	43.5	-	46.0	37.8	-	35.6	58.9	59.9	-
		52-36T	43.5	-	46.0	37.8	-	35.6	58.9	59.9	-
		46-36T	43.5	-	46.0	37.8	-	35.6	58.9	59.9	-
	FC-RX810-2	48-31T	46.9	-	48.5	40.3	40.4	40.3	59.3	60.0	-
	FC-RX600-11	46-30T	46.9	-	48.5	40.3	-	39.1	60	59.9	-
	FC-RX810-1	42T	49.7	-	46.7	-	44.5	44.5	59.3	60.0	45.4
40T		49.7	-	46.7	-	44.5	44.5	59.3	60.0	45.4	
40T		49.7	-	46.7	-	-	44.5	59.5	59.2	-	
10	FC-5703	50-39-30T	45.0	51.2	44.1	36.0	36.9	34.9	63.3	60.8	-
	FC-4703	50-39-30T	45.0	51.2	44.1	36.0	36.9	34.9	65.0	63.2	-
	FC-4700	52-36T	43.5	-	45.9	38.0	-	35.8	59.2	60.2	-
		50-34T	43.5	-	45.9	38.1	-	35.8	59.2	60.2	-
		48-34T	43.5	-	46	38.1	-	35.6	59.2	60.2	-
	FC-R460	48-34T	43.5	-	45.9	38.1	-	36.5	59.3	60.2	-
		46-34T	43.5	-	45.9	38.1	-	36.5	59.3	60.2	-
	FC-R5400	50-34T	43.5	-	45.9	38.1	-	-	59.3	60.2	-
	FC-CX50	46-36T	43.5	-	45.8	37.9	-	36.1	59.4	60.4	-
	FC-RX600-10	46-30T	46.9	-	48.5	40.3	-	39.1	59.5	59.2	-
9	FC-R3030	50-39-30T	45.0	51.8	44.2	36.1	36.0	34.3	65.2	63.0	-
	FC-R3000	50-34T	43.5	-	45.8	38.1	-	-	59.2	60.0	-
	FC-R345	50-34T	43.5	-	45.5	37.8	-	36.0	61.0	59.4	-
8	FC-R2030	50-39-30T	45.0	51.7	44.0	36.0	36.1	34.1	64.0	62.5	-
	FC-A073	50-39-30T	45.0	51.5	43.9	35.9	35.9	34.9	70.0	69.3	-
	FC-R2000	50-34T	43.5	-	46.0	38.4	-	37.4	59.8	60.5	-
	FC-RS200	50-34T	43.5	-	45.9	38.3	-	36.5	61.4	61	-
		46-34T	43.5	-	45.8	38.3	-	39.1	61.4	61	-
FC-A070	50-34T	43.5	-	45.9	38.3	-	38.4	67.7	69.7	-	
TRACK	FC-7710 (1/2 x 1/8 inch)	-	42.5	-	39.4	-	-	-	52.5	52.5	-
	FC-7710 (1/2 x 3/32 inch)	-	42.5	-	39.9	-	-	-	52.5	52.5	-

Power meter dimensions C-501

FC-R9100-P

