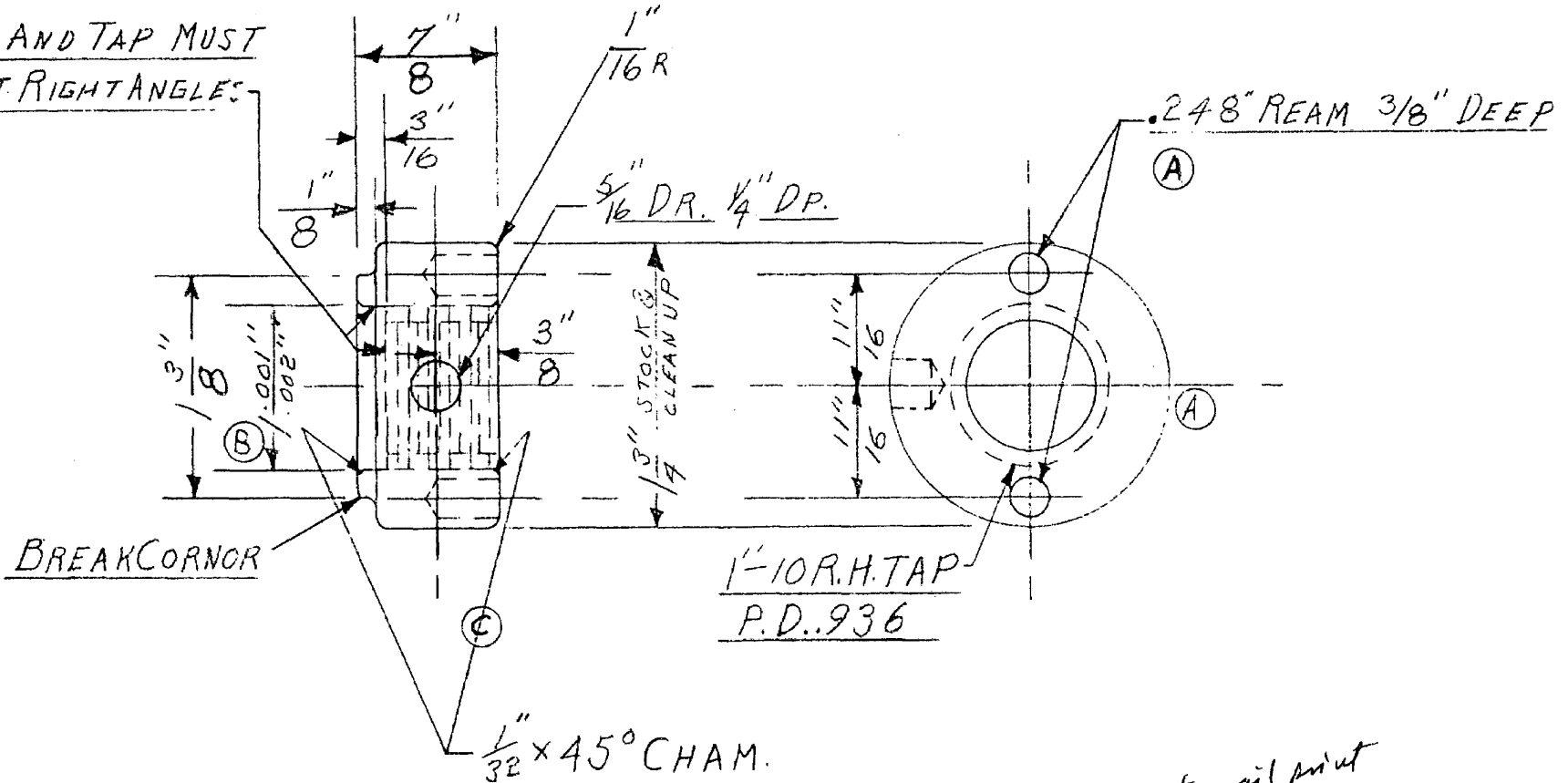


M1-567

Unless Otherwise Specified—Fractional Dim. + OR — .005"—Remove Burrs and Sharp Corners. Finish:— $f_1=1/32"$; $f_2=1/16"$; $f_3=3/32"$; $f_4=1/8"$

REPAIR DEPT.
 (B) FACE AND TAP MUST BEAT RIGHT ANGLES



SC
3585
A

*OK to mail print
9/5/12/03*



ATLAS PRESS CO.
KALAMAZOO, MICH.

ARBOR DRIVER

USED ON — M1-550

MAT'L—B-1112
H. T.—

REQ'D.— 1 WT.— SEP 9 1952

DR. By— W.H.B.

CK. By— DATE— 11-1-90

SCALE— FULL

M1-567

Study No.	PCS.	DESCRIPTION	Opr. No.	RATE	SET UP		
8-23-43	B	1" NOTE CHANGED	W.B.	9-7-52	REDRAWN BY E.R.B.		
9-7-52	C	ADD. CHAM.	W.V.D.	8-7-52	A DRILLED HOLE / HOLE REMOVED W.M.		
DATE	SYM.	WAS	Auth. by	DATE	SYM.	WAS	Auth. by